

ULTRABAY



ULTRABAY

The ULTRABAY model is specifically designed to replace traditional lowbay, highbay and T5 luminaires typically in a retrofit type installation where energy savings can be in excess of 60% of the existing fixtures.

Linear ULTRABAY Advance

The Advance model allows for increased energy savings by utilising an integrated PIR Sensor that detects not only movement but can also maintain a specified lux level in the area allowing the fixture to operate only when required.



ULTRABAY Pro

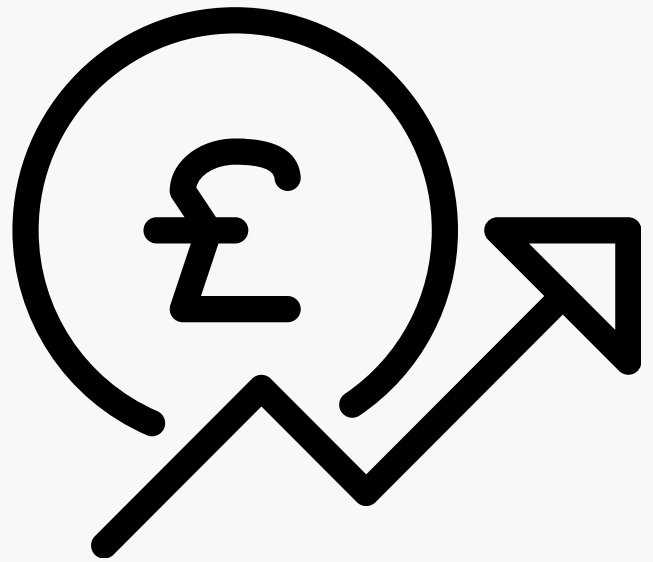
The PRO model is designed for optimising potential energy savings by harvesting the natural daylight to regulate the light output of the fixture to achieve and maintain the required lighting levels and uniformity of an area.

ULTRABAY Pro-Connect

The Pro-Connect model allows the integration of wireless communication into the lighting system. This gives a layer of intelligence to the installation which can share information on occupancy, activity patterns and daylight levels. The collated data can then be analysed and viewed via an App or PC dashboard.



Savings Calculator



Existing Installation



Lamp Configuration	Power (W)	QTY	Hours Per Day	Days Per Week	Weeks Per Year	Annual Hours	Annual Kwh	CO2 (Kg)	Electricity Cost (KWh)	Annual Cost
400W HPI	440	20	10	5	52	2600	22880	11356.7168	£0.15	£3,432.00
Total								11356.7168	Total (£)	£3,432.00

Proposed Installation



Lamp Configuration	Power (W)	QTY	Hours Per Day	Days Per Week	Weeks Per Year	Annual Hours	Annual Kwh	CO2 (Kg)	Electricity Cost (KWh)	Annual Cost
AP-A-S-24-W-LED	165	20	10	5	52	2600	8580	4258.7688	£0.15	£1,287.00
Total								4258.7688	Total (£)	£1,287.00



SAVE MORE!

PIR Lighting Controls Allow **Further** Improved Energy Savings.



Total Savings (£) £2,145.00

% Savings Over Existing Installation 62.5%

Technical Datasheet

UltraBay

Industrial



KEY FEATURES

Compact, lightweight sleek design with powder coated steel body and geartray.

Utilising the very latest in LED Technology with Philips Fortimo Boards | Xitanium Drivers and Trustsight Emergency achieving high lumen efficacy up to 150lm/w.

A choice of Optical Lens:
Wide | Narrow | High-Rack to suit all applications.

APPLICATIONS

Warehouse, Distribution and Logistics facilities. Sports and Leisure complexes, 'out-of-town' retail and Automotive Repair.

DESCRIPTION

An energy efficient, professional, manufactured high level luminaire.

Designed to replace traditional Hi-bay|Low-bay and T5 luminaires whilst enjoying energy savings in excess of 60% of existing luminaires.

Presence & Daylight sensors available to further increase savings as well as Connected Lighting (I.o.T) Systems available.

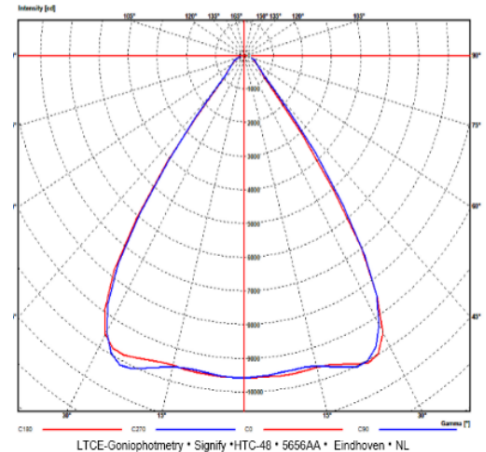
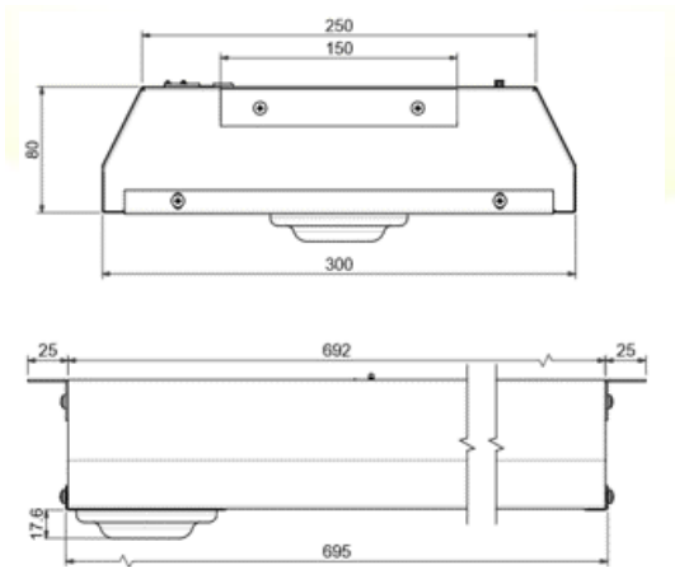


Technical Datasheet

UltraBay

Industrial

TECHNICAL DATA



Code	Watts (W)	Lumens (LM)	Colour Temp	Optic	Size (L)	Size (W)	Size (H)	Weight
AP-A-S-9-W-LED 9W	60W	9,000	4000K	WIDE BEAM	695mm	300mm	80mm	5KG
AP-A-S-12-W-LED 12W	82W	12,000	4000K	WIDE BEAM	695mm	300mm	80mm	5KG
AP-A-S-15-W-LED 15W	99W	15,000	4000K	WIDE BEAM	695mm	300mm	80mm	5KG
AP-A-S-18-W-LED 18W	121W	18,000	4000K	WIDE BEAM	695mm	300mm	80mm	5KG
AP-A-S-20-W-LED 21W	137W	21,000	4000K	WIDE BEAM	695mm	300mm	80mm	5KG
AP-A-S-24-W-LED 24W	164W	24,000	4000K	WIDE BEAM	695mm	300mm	80mm	6KG
AP-A-S-26W-LED 26W	170W	26,000	4000K	WIDE BEAM	695mm	300mm	80mm	6KG
AP-A-S-28W-LED 28W	180W	28,000	4000K	WIDE BEAM	695mm	400mm	80mm	7KG
AP-A-S-32W-LED 32W	220W	32,000	4000K	WIDE BEAM	695mm	400mm	80mm	7KG

Options

/EM	3hr Integral Emergency	/EMD	DALI 3hr Integral Emergency
/D	DALI Dimmable	/ADV	PIR Sensor
/PRO	PIR & Daylight Dimming Sensor	/PRO-CONNECT	Wireless Communication via Bluetooth/Mobile App/PC Dashboard
/NB	Narrow Beam Optic High Rack Optic	/LO	Low Glare Optic