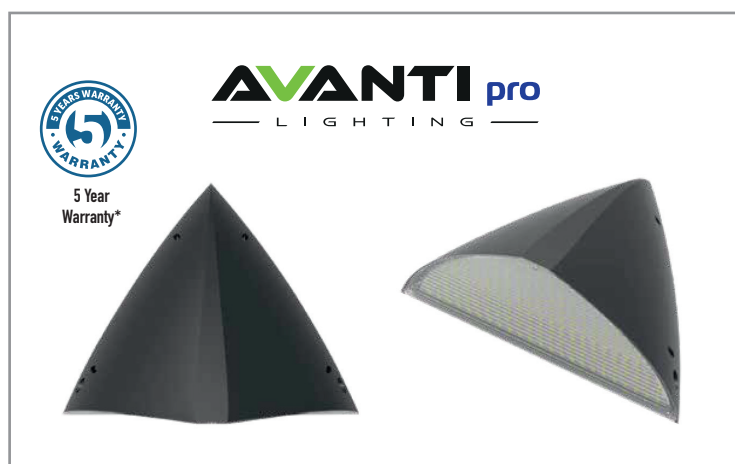


FIN

IP65 LED WALL PACK



TECHNICAL SPECIFICATION

Order codes: **AP-FIN/ANT**

Construction: **Base: Die-casting aluminium**
Cover: Polycarbonate
Diffuser: Polycarbonate

Dimensions mm: **A: 400 B: 312 C: 190**

Control Gear: **Branded**

Colours: **Anthracite (RAL7016)**

CCT(K): **Adjustable - 3K or 4K**

Adjustable Power Output: **13W: 1700 lm**
18W: 2500 lm
28W: 3500 lm

Lumens P/Watt: **3000K = 120LM/W**
4000K = 125LM/W

Beam Angle: **120°**

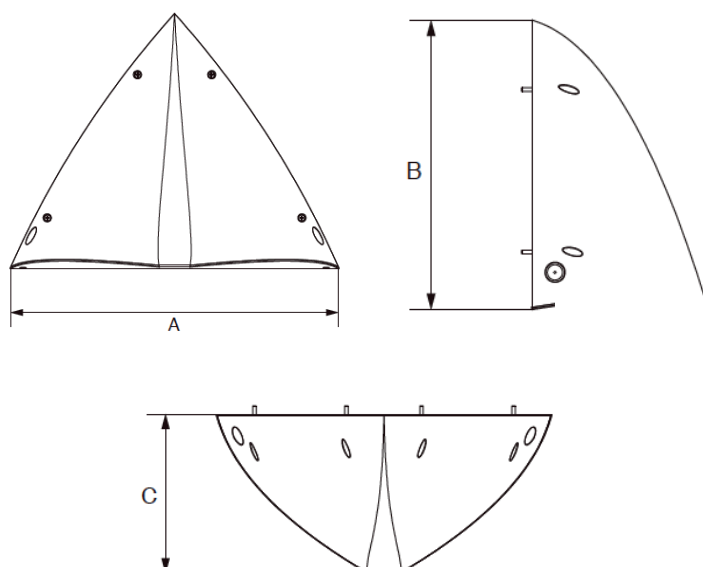
Maximum Life Time: **50,000 hours**

OPTIONS

Emergency version available add suffix **/EM** to part code

MARKS, SYMBOLS & ICONS

CE  **RoHS IP65 IK10**



*Full warranty policy details are available upon request and are also viewable on our website.